

TN100-QSDD TRANSCEIVER MANAGEMENT MODULE SPEC SHEET



OVERVIEW

Precision's TN100-QSDD Transceiver Management Modules are compatible with Precision's transceiver tool software, specifically designed for the configuration and rapid deployment of Precision's pluggable optics. The TN100-QSDD firmware will be automatically updated when a new release becomes available.

TN100-QSDD Features:

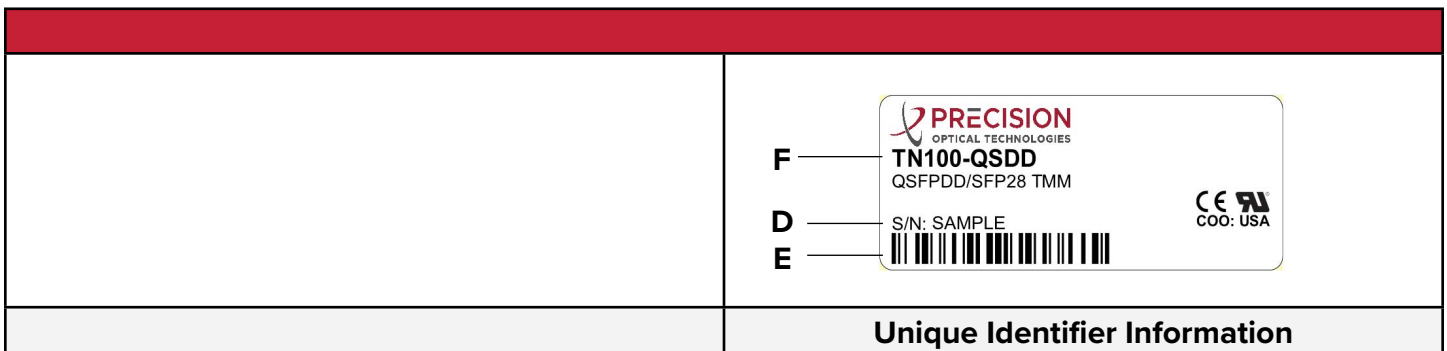
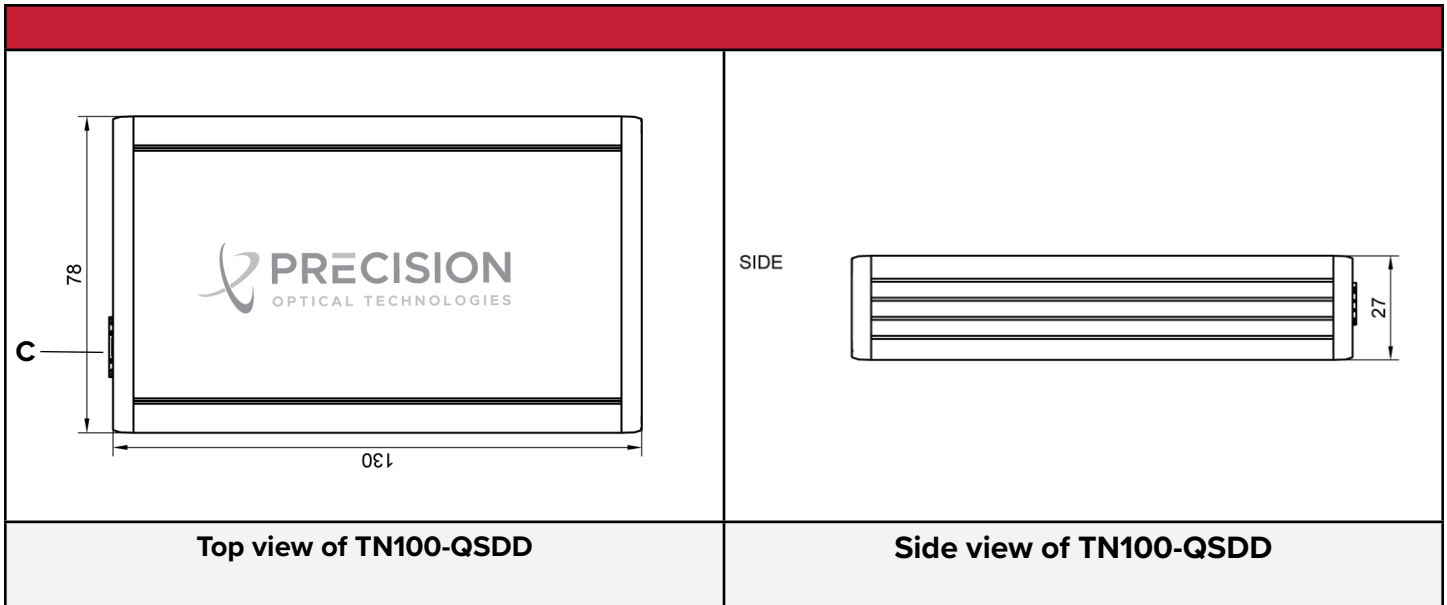
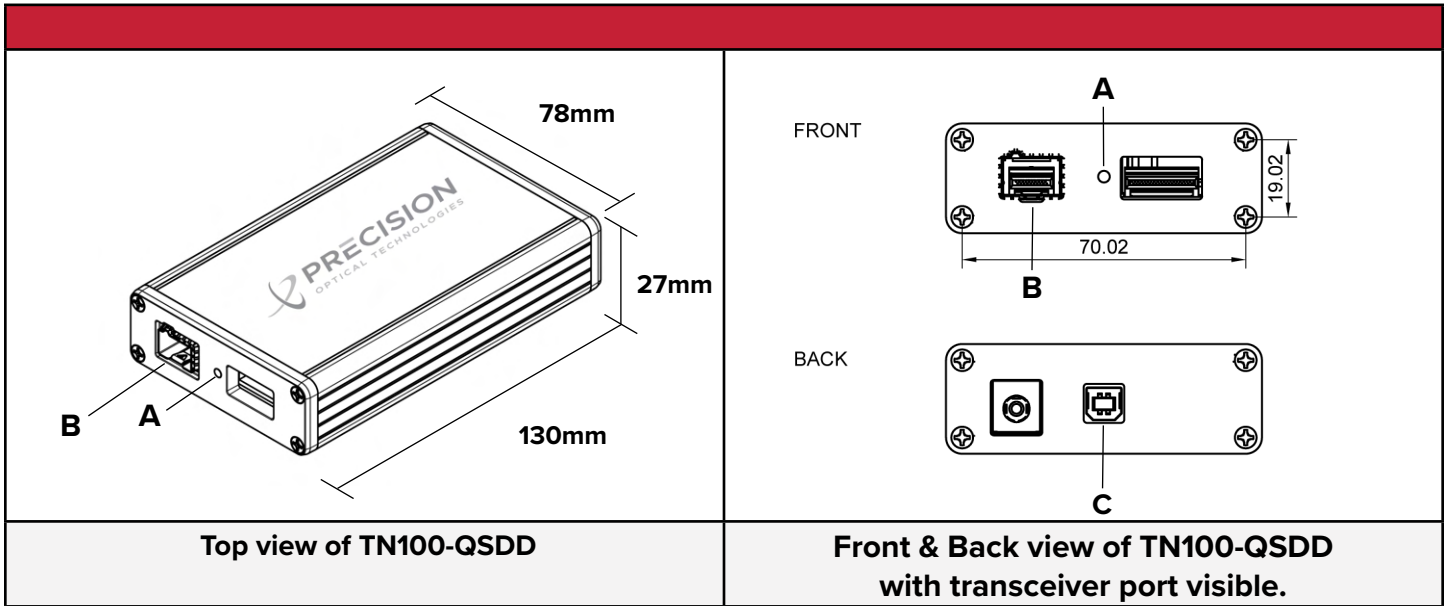
- Flexibility of configuring tunable optics to any standard ITU C-band 50GHz or 100GHz spaced channels.
- Configure Precision optics with compatibility to any OEM platform.
- Read diagnostic information from pluggable optics.
- Compatible with Mac OS and Windows 11,10, 8, & 7.
- Controlled over single USB connection (USB cable provided).
- Powered over USB for lower power consuming optics or with optional external power supply for higher power consuming optics.

CONTENTS

TN100-QSDD Overview	1
Labeling Information	2
Product Specifications	3
Regulatory Compliance and Safety Information	3

LABELING INFORMATION

- A. Power ON/OFF LED
- B. Transceiver port
- C. USB-C port for power and/or PC connection
- D. Serial Number
- E. Serial Number Barcode
- F. Part Number



PRODUCT SPECIFICATIONS

Operating Voltage	5V via USB connector or external power supply
Power Consumption	2.5 Watts Max via USB 20 Watts Max via Barrel Plug
Operating Temperature	-20 C to 50 C
Storage Temperature	-35 C to 85 C
Dimensions	130mm L x 78mm W x 27mm H
Communications	USB 2.0 via USB port (PC)
Transceiver Port Type	1x QSFP+/QSFP28/QSFP-DD port 1x SFP/SFP+/SFP28 port
MTBF	40,000 insertions (estimated)*

*Point of failure in device is the mechanical SFP port receptacle

REGULATORY COMPLIANCE AND SAFETY INFORMATION

RoHS	2011/65/EU + (EU) 2015/863
US/Canada	
EMC	FCC CFR 47 Part 15, ICES-003
Europe (CE)	
EMC	EN 55032, EN 55035

