

MPO Breakout Panels

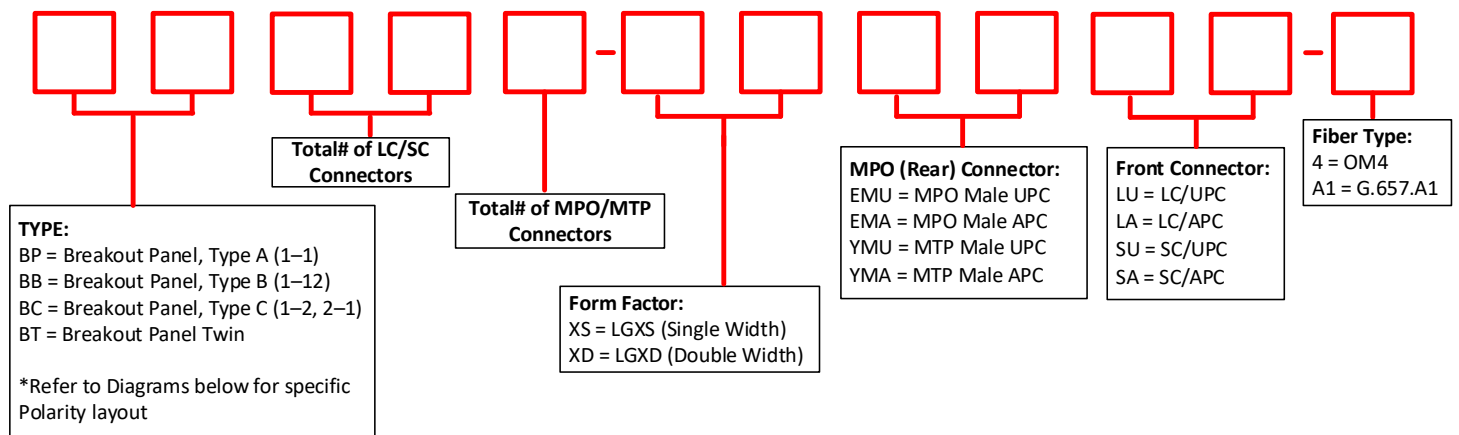
MPO to LC, LGX, Single/Multimode



Product Description:

- Breakout Panel
- MPO/MTP to LC/SC Connectors
- UPC or APC
- LGX Form Factor

Product Ordering Information



NOTE: Rackmount chassis with open-ended rear are used with these modules (1RU1-08-3SL-R, 3RU1-08-7DL-R)

Part Number / Description Examples

Part Number	24 LC to 3 MPO Description
BP243-XSEMULU-4	Breakout Panel, Type A (1-1), 24 to 3 (8 LC to 1 MPO X 3), LGX single width, LC-UPC to low loss elite MPO-Male-UPC end face, OM4 Multimode fiber, Connectors in Aqua color (with dust caps on all connectors), MPO Type A, Key Up to Key Down
BP243-XSYMULU-4	Breakout Panel, Type A (1-1), 24 to 3 (8 LC to 1 MTP X 3), LGX single width, LC-UPC to low loss elite MTP-Male-UPC end face, OM4 Multimode fiber, Connectors in Aqua color (with dust caps on all connectors), MPO Type A, Key Up to Key Down
BP243-XSEMALU-A1	Breakout Panel, Type A (1-1), 24 to 3 (8 LC to 1 MPO X 3), LGX single width, LC-UPC to low loss elite MPO-Male-APC end face, G.657.A1 Singlemode fiber, LC Connectors in Blue color & MPO in Green color (with dust caps on all connectors), MPO Type A, Key Up to Key Down
BP243-XSYMALU-A1	Breakout Panel, Type A (1-1), 24 to 3 (8 LC to 1 MTP X 3), LGX single width, LC-UPC to low loss elite MTP--Male-APC end face, G.657.A1 Singlemode fiber, LC Connectors in Blue color & MTP in Green color (with dust caps on all connectors), MPO Type A, Key Up to Key Down

MPO Breakout Panels

MPO to LC, LGX, Single/Multimode



Part Number	Twin 24 LC to 3 MPO Description
BT243-XSEMULU-4	Breakout Panel, Twin, 24 to 3 (8 LC to 1 MPO X 3), LGX single width, LC-UPC to low loss elite MPO-Male-UPC end face, OM4 Multimode fiber, Connectors in Aqua color (with dust caps on all connectors), MPO Type A, Key Up to Key Down
BT243-XSYMULU-4	Breakout Panel, Twin, 24 to 3 (8 LC to 1 MTP X 3), LGX single width, LC-UPC to low loss elite MTP-Male-UPC end face, OM4 Multimode fiber, Connectors in Aqua color (with dust caps on all connectors), MPO Type A, Key Up to Key Down
BT243-XSEMALU-A1	Breakout Panel, Twin, 24 to 3 (8 LC to 1 MPO X 3), LGX single width, LC-UPC to low loss elite MPO-Male-APC end face, G.657.A1 Singlemode fiber, LC Connectors in Blue color & MPO in Green color (with dust caps on all connectors), MPO Type A, Key Up to Key Down
BT243-XSYMALU-A1	Breakout Panel, Twin, 24 to 3 (8 LC to 1 MTP X 3), LGX single width, LC-UPC to low loss elite MTP-Male-APC end face, G.657.A1 Singlemode fiber, LC Connectors in Blue color & MTP in Green color (with dust caps on all connectors), MPO Type A, Key Up to Key Down

Part Number	24 LC to 1 MPO Description
BP241-XSEMULU-4	Breakout Panel, Type A (1 -1), 24 to 1 (24 LC to 1 MPO), LGX single width, LC-UPC to low loss elite MPO-Male-UPC end face, OM4 Multimode fiber, Connectors in Aqua color (with dust caps on all connectors), MPO Type A, Key Up to Key Down
BP241-XSEMALU-A1	Breakout Panel, Type A (1 -1), 24 to 1 (24 LC to 1 MPO), LGX single width, LC-UPC to low loss elite MPO-Male-APC end face, G.657.A1 Singlemode fiber, LC Connectors in Blue color & MPO in Green color (with dust caps on all connectors), MPO Type A, Key Up to Key Down

Optical Characteristics

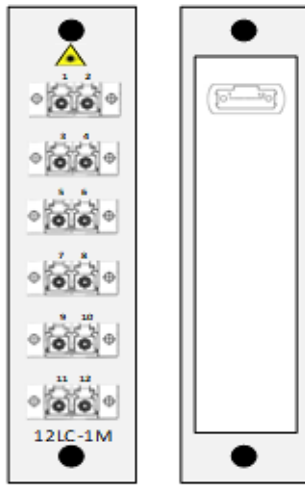
	Parameters	Values	
Connector	MPO/MTP insertion loss (dB) Singlemode or Multimode, Male or Female	< 0.35 (maximum) < 0.1 (typical)	
	MPO/MTP Return loss (dB) Male or Female	> 20 (MM-UPC) > 55 (SM-APC)	
	LC/SC/FC insertion loss (dB) Singlemode or Multimode	< 0.3 (maximum) < 0.1 (typical)	
	LC/SC/FC Return loss (dB)	> 30 (MM-UPC) > 50 (SM-UPC) > 65 (SM-APC)	
	OM4 Attenuation (dB/km)	≤ 3.0 (850nm) ≤ 1.0 (1310nm)	
	Fiber	G.657 Attenuation (dB/km)	0.4 (1310nm) 0.3 (1550nm)
		IL Thermal Stability (dB/°C)	≤ 0.005
Connector & Fiber	Maximum Input Power (mW/dBm)	300/24.8	
	Operating Temperature, Indoor (°C)	-10 to +70	
	Operating humidity (%)	5 to 95	

MPO Breakout Panels

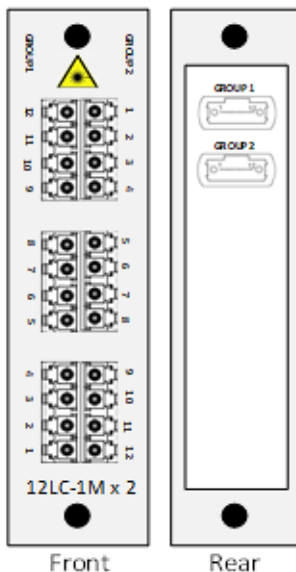
MPO to LC, LGX, Single/Multimode

Physical Design & Configuration

BREAKOUT TYPE

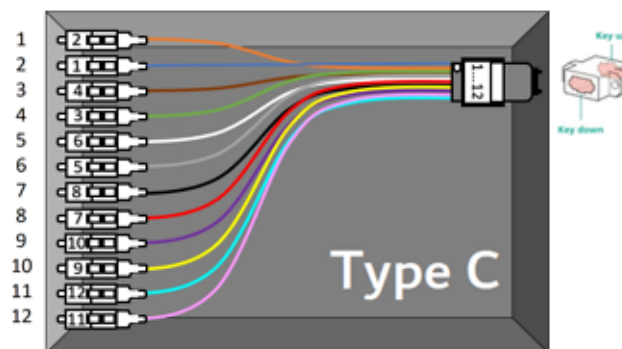
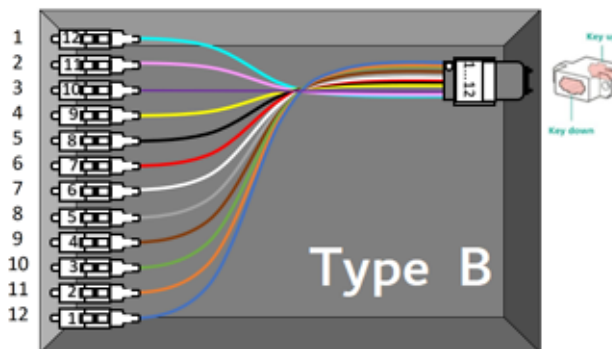
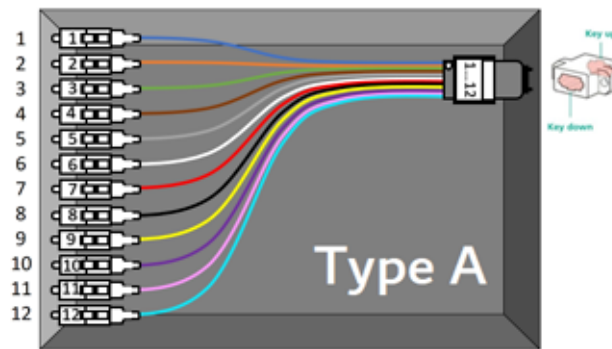


12LC x 1MPO



24LC x 2MPO

INTERIOR CONFIGURATION



POLARITY LAYOUT

LC#	MPO Position
1	1
2	2
3	3
4	4
5	5
6	6
7	7
8	8
9	9
10	10
11	11
12	12

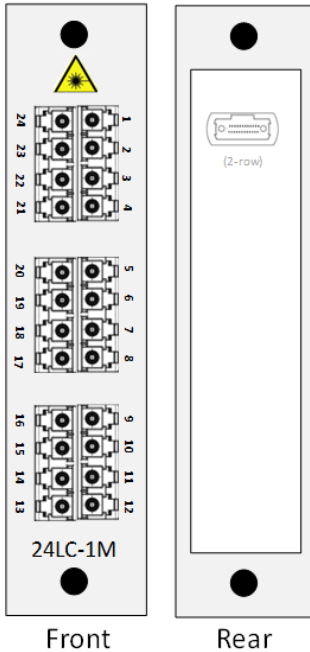
LC#	MPO Position
1	12
2	11
3	10
4	9
5	8
6	7
7	6
8	5
9	4
10	3
11	2
12	1

LC#	MPO Position
1	2
2	1
3	4
4	3
5	6
6	5
7	8
8	7
9	10
10	9
11	12
12	11

MPO Breakout Panels

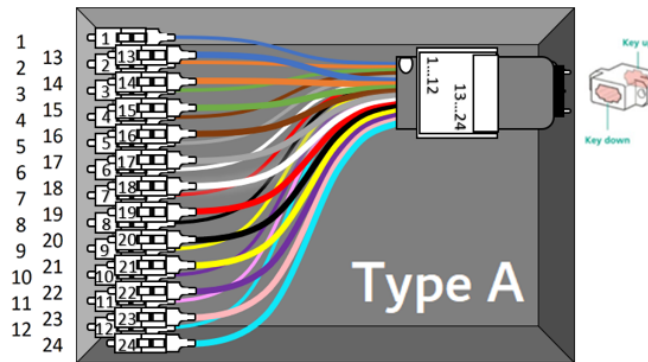
MPO to LC, LGX, Single/Multimode

BREAKOUT TYPE



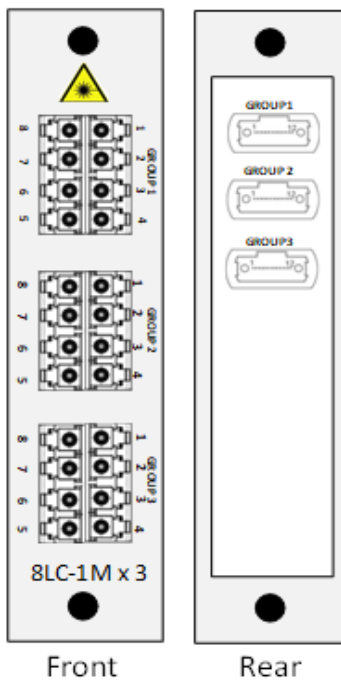
24LC x 1 MPO

INTERIOR CONFIGURATION

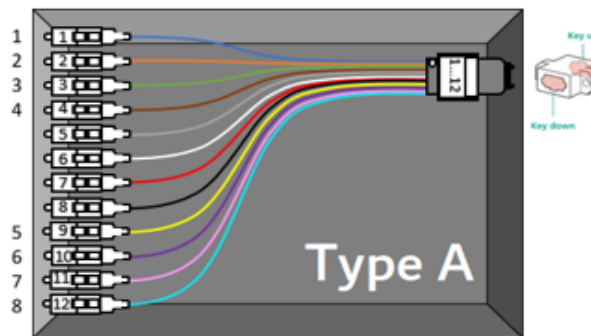


POLARITY LAYOUT

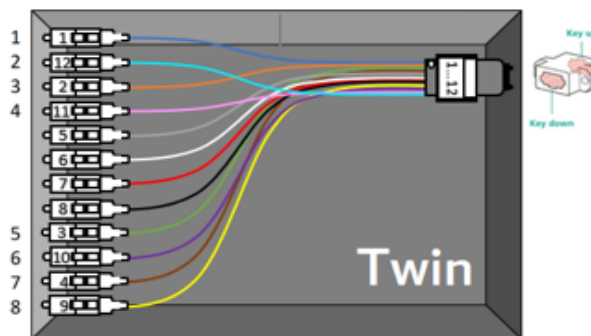
LC#	MPO Position
1	1
2	2
3	3
4	4
5	5
6	6
7	7
8	8
9	9
10	10
11	11
12	12
13	13
14	14
15	15
16	16
17	17
18	18
19	19
20	20
21	21
22	22
23	23
24	24



24LC x 3MPO



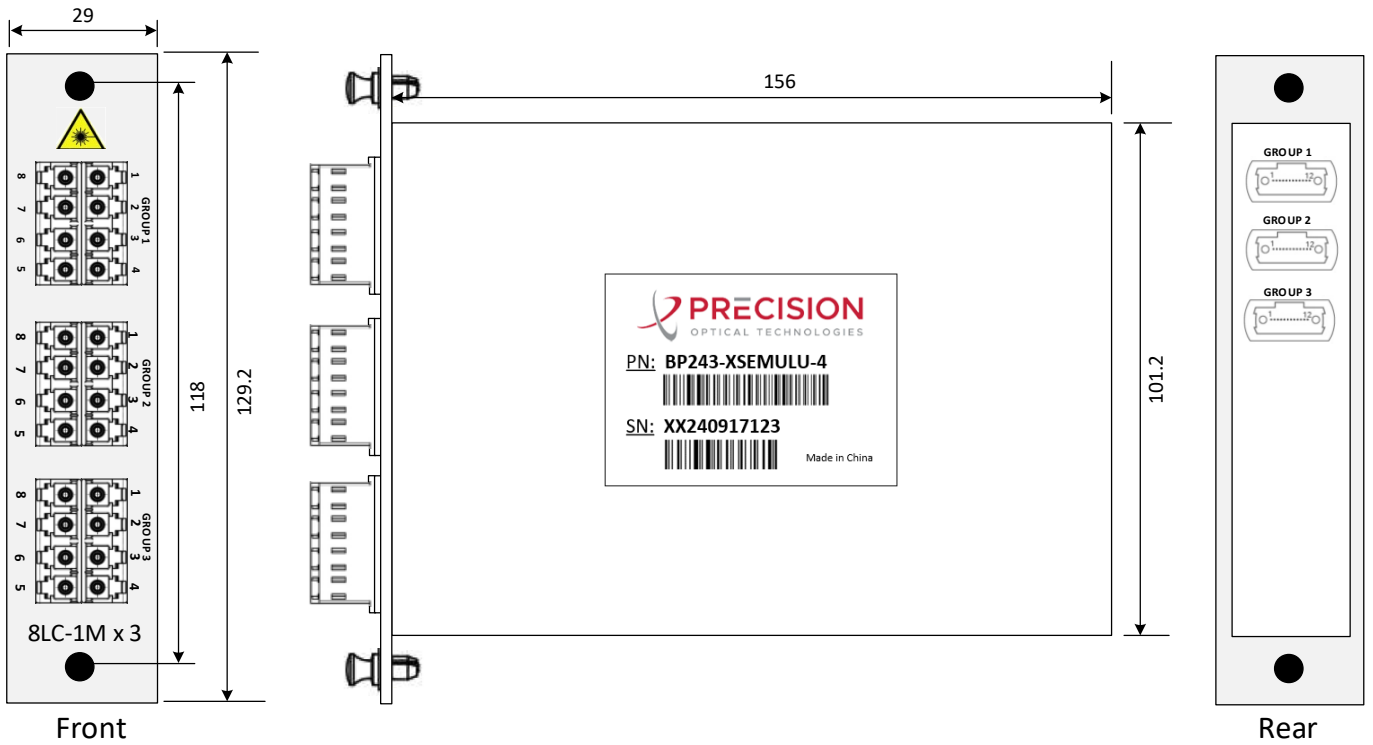
LC#	MPO Position
1	1
2	2
3	3
4	4
5	9
6	10
7	11
8	12



LC#	MPO Position
1	1
2	12
3	2
4	11
5	3
6	10
7	4
8	9

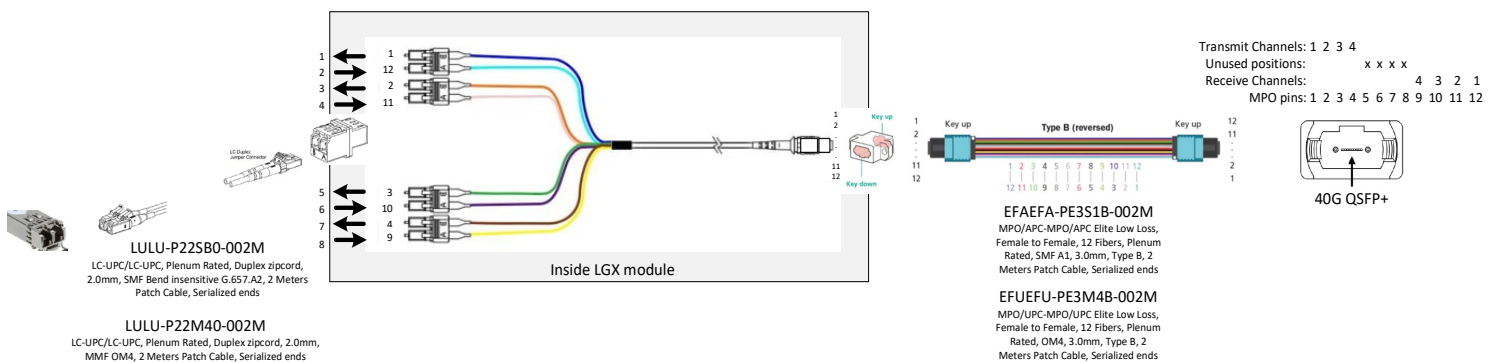
MPO Breakout Panels

MPO to LC, LGX, Single/Multimode



External Design and Dimensions in mm
(BP243-XSEMULU-4 shown)

Design Example



(BT243-XSEMULU-4 or BT243-XSEMALU-A1)