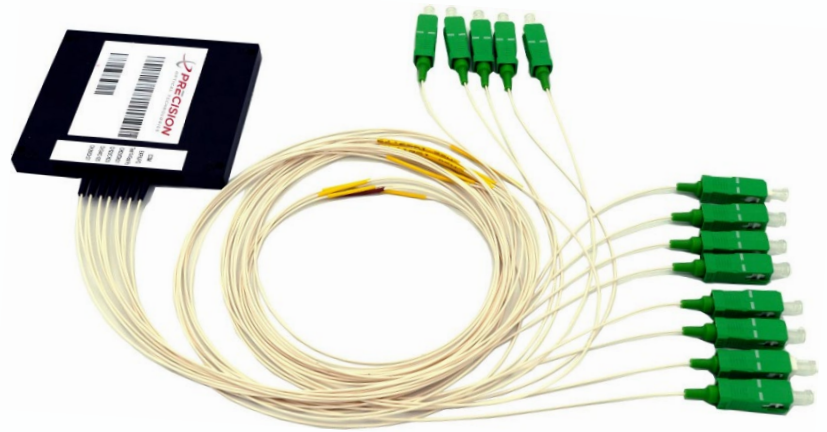


40 & 48-Channel DWDM Passive Filter OSP (Outdoor Use), Thin Film Versions

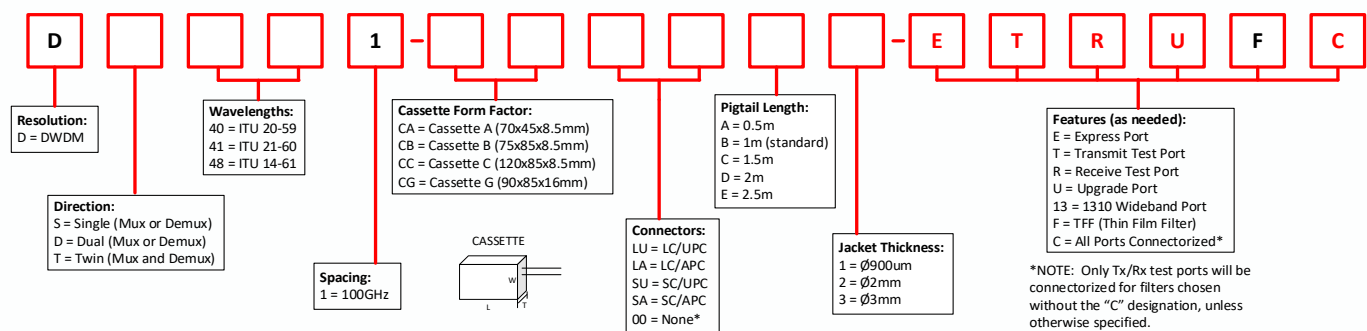
Product Description:

40 or 48-Channel DWDM Thin Film Filter with the following options:

- Upgrade/Express/Test Ports
- Multiple Cassette Sizes/Pigtail Lengths
- UPC/APC Connectors



Product Ordering Information



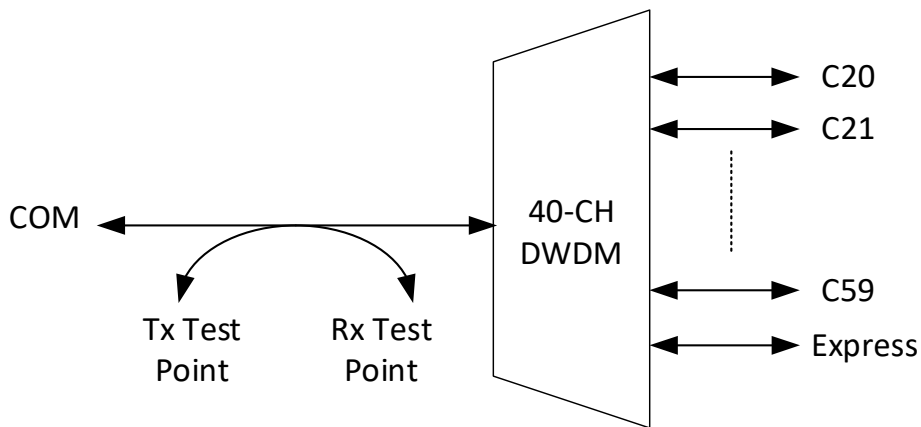
Part Number / Description Examples

Part Number	Description
DS401-CGSAB1-ETRUF	DWDM, Single (Mux or Demux), ITU 20-59, 100GHz grid, Outdoor Cassette Type G (90x85x16mm), Ø900um 1m pigtail with label, with SC-APC on Transmit/Receive Test ports, Unterminated DWDM + Express + Upgrade Ports, Thin Film Filter
DS401-CGLUD1-ETRUF	DWDM, Single (Mux or Demux), ITU 20-59, 100GHz grid, Outdoor Cassette Type G (90x85x16mm), Ø900um 2m pigtail with label, with LC-UPC on Transmit/Receive Test ports, Unterminated DWDM + Express + Upgrade ports, Thin Film Filter
DD481-CCLAB1-ETRUF	DWDM, Dual (Mux or Demux), ITU 14-61, 100GHz grid, Outdoor Cassette Type C (120x85x8.5mm), Ø900um 1m pigtail with label, with LC-APC connectors on all DWDM/Express/Upgrade/Test Ports, Thin Film Filter

Optical Characteristics

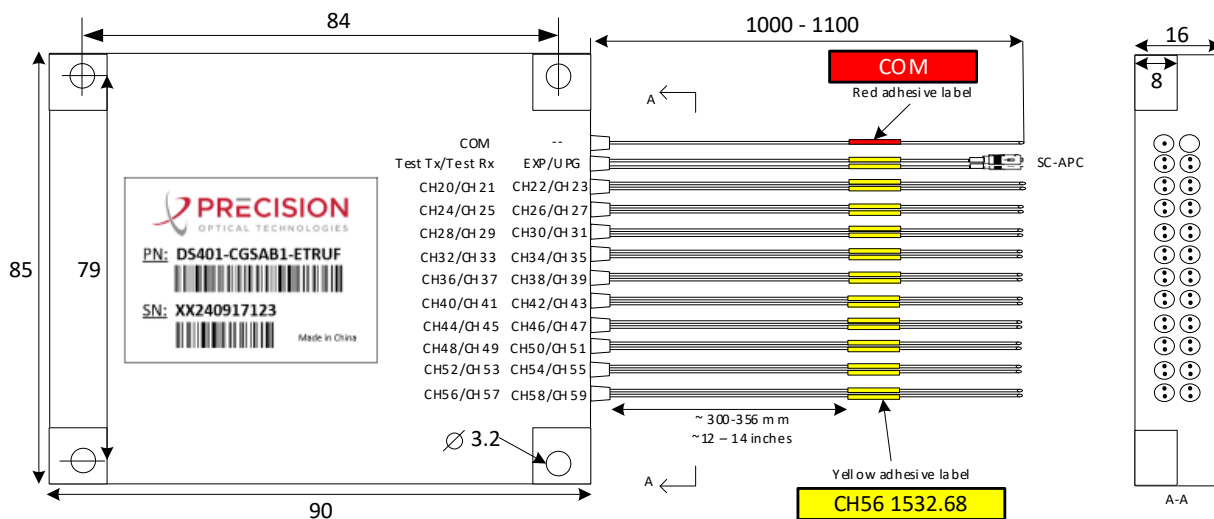
Parameter	Value	Unit
DWDM Passband @ -0.5dB	$\lambda_c \pm 0.125$	nm
DWDM passband insertion loss @ -0.5dB	< 4.5	dB
DWDM passband ripple @ -0.5dB	< 0.5	dB
Test port insertion loss (dB)	20 ± 2	dB
Express insertion loss	< 1.5	dB
Express passband ripple	< 0.5	dB
Express passband	1260-1520 (1420-1520 w/ 1310 Port) 1570-1635	nm
Upgrade insertion loss	< 3.0	dB
Upgrade passband	Any ITU wavelengths within ITU 14 to 62 that is not being designated on the front plate	nm
1310 port insertion loss	< 1.5	dB
1310 port passband ripple	< 0.5	dB
1310 port passband	$\sim 1260-1360$	dB
DWDM uniformity	< 2.0	dB
Isolation Adj (COM-DWDM)	> 30	dB
Isolation Non-Adj (COM-DWDM)	> 45	dB
Isolation Non-Adj (COM-EXP)	> 12	dB
DWDM directivity	> 50	dB
EXPRESS directivity	> 45	dB
Return loss	> 45	dB
Polarization dependent loss	< 0.2	dB
Polarization mode dispersion	< 0.15	ps
IL thermal stability	< 0.005	dB/°C
Wavelength thermal stability	< 0.001	nm/°C
Maximum input power	300 / 24.8	mW/dBm
Operating temperature	-40 to +85	°C
Operating humidity	5 to 95	%
Tensile strength pull strength (up to 10 seconds max)	> 20 ³	N
Fiber type (all ports)	SMF-28e (G.657.A1)	

Filter Optical Design



40-Channel DWDM Design (high level)

Filter Physical Design



40-Channel DWDM External Design (mm)
(DS401-CGSAB1-ETRUF shown)